

HI-TECH CLASSROOM REFERENCE MANUAL:

Preview Monitor

**AVT-ITL
486-1774
Fall 2009**

Overview

The Push Button style of Hi-Tech Classrooms have regular PC screens which are set into the Teaching Station counter top and are used to “preview” the selected source. These monitors are required so that the user can switch the signal type (RGB vs. Video) being shown depending on what type of source has been selected.

Signal Switching

1. Make sure the Preview Monitor is *ON*. The power switch is the large button located on the right-hand side of the front of the monitor (which is usually hidden as the monitor is set into the Teaching Station counter top).
2. Unless you are using the PC or a laptop, the monitor needs to be set to receive and preview the Video type of signal. Do this by locating and pressing the RGB Multi button. A signal light will light up signifying the monitor is now set for video. The button is located in the control panel of the monitor itself, covered by a door on the lower center area of the monitor (*Figure 1*).
 - a. Some doors contain cutout areas which expose the button, some do not.
 - b. If the panel does not have a cut-out, then locate the button that is second from the left on the top row, this is the RGB Multi button.
3. To switch back to an RGB signal for computer, press the button again.

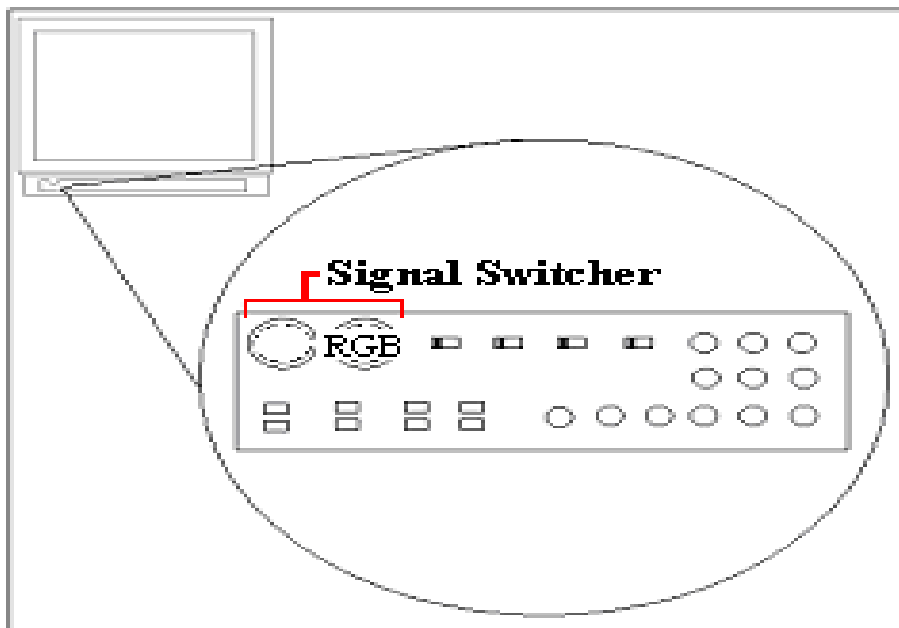


Figure 1: Preview monitor signal switching buttons.